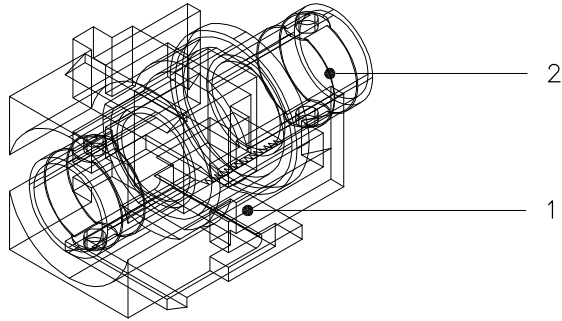
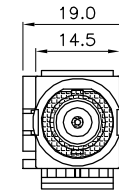
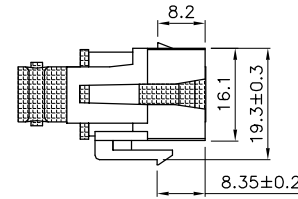
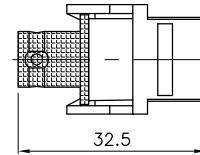


NOTE: ALL MATERIAL COMPLIANT ROHS STANDARD

REVISION INFORMATION			
Rev.	Rev. Date	Modified By	Brief Description



SCALE 2/1



Remark : AJSACXX00000115

(1)

(1) XX : Plastic Housing Color
05=White, 13=Ivory.

Specification :

- Material :
1. Plastic : ABS, UL 94V-0, with optional color.
 2. Connector : Zn Alloy with Nickel plated.



NO.	PART NAME	SPECIFICATION DESCRIPTION	QTY	UNIT
③				
②				
①				

DRAWN BY	DATE: 2012/08/25	DESCRIPTION: Snap-in BNC F/F Keystone Module White
CHECKED BY	SHEET 1 of 1	ITEM NO. 101813WT
APPROVED BY	SCALE 1:1	REV. 00
	UNIT: mm	