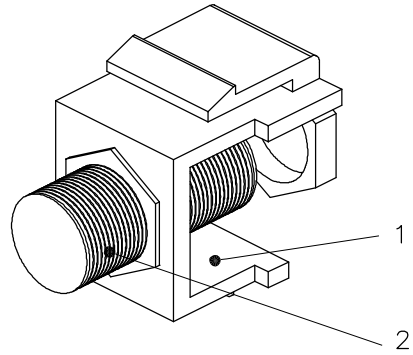
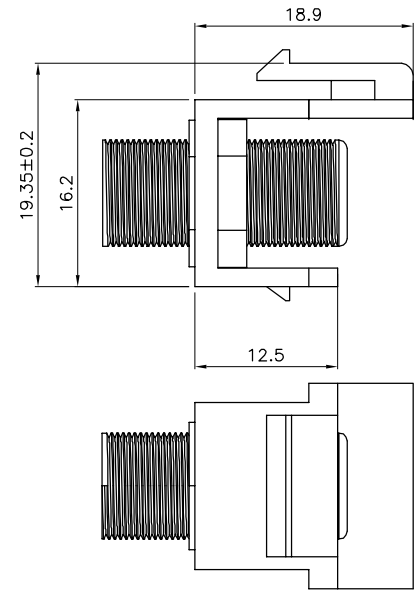
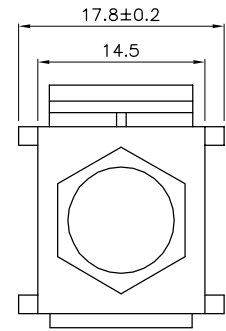


NOTE: ALL MATERIAL COMPLIANT ROHS STANDARD

REVISION INFORMATION			
Rev.	Rev. Date	Modified By	Brief Description



SCALE 2/1



Specification :

- Material :
1. Plastic : ABS, UL 94V-0, with optional color.
 2. F Connector : Zinc Die-Casting with Nickle plated.

Remark : AJSABXX00000115
(1)

(1) XX : Housing Color
01=Black, 05=White, 13=Ivory.



NO.	PART NAME	SPECIFICATION DESCRIPTION	QTY	UNIT
③				
②				
①				

DRAWN BY	DATE: 2012/08/25	DESCRIPTION: Snap-in F Type F/F Keystone Module White		
CHECKED BY	SHEET 1 of 1	ITEM NO. 101812WT		
APPROVED BY	SCALE 2:1	REV. 00	UNIT: mm	