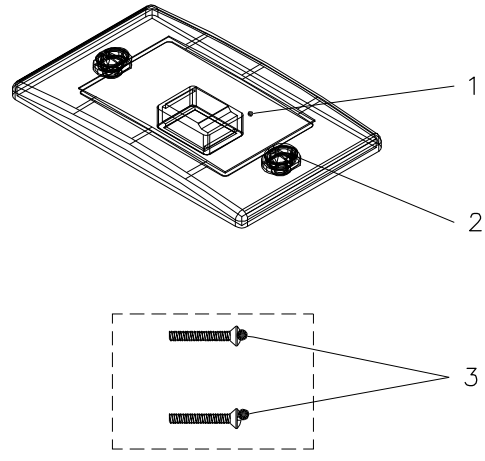
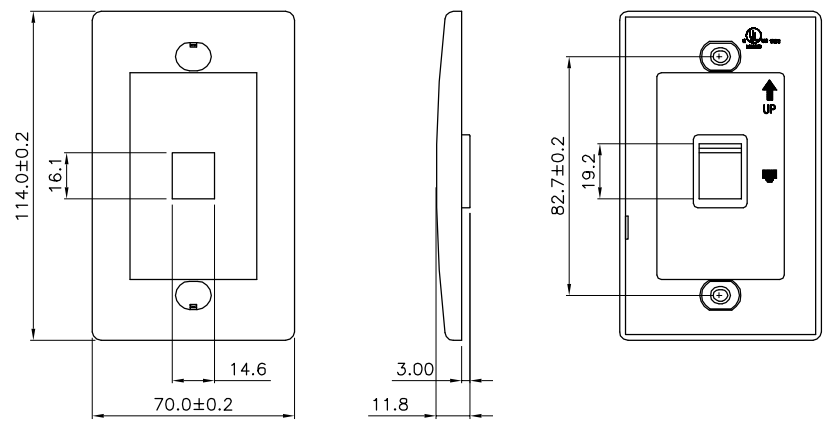


NOTE: ALL MATERIAL COMPLIANT ROHS STANDARD

REVISION INFORMATION			
Rev.	Rev. Date	Modified By	Brief Description




SCALE 1/2



Remark : AAHOC101010101XX
(1)
(1) XX : Color
05=White, 13=Ivory

Specification :

- Material :
1. Plate : ABS, UL 94V-0.
 2. Dust Cap : ABS, UL 94V-0.
 3. Screw : 6#32-L25.0mm.



DRAWN BY	DATE: 2012/08/25	DESCRIPTION: 1Port Keystone Wallplate Ivory Decora Type 1Port Keystone Wallplate White Decora Type
CHECKED BY	SHEET 1 of 1	ITEM NO. 101801IV&101801WT
APPROVED BY	SCALE 1:2	REV. 00
		UNIT: mm

NO.	PART NAME	SPECIFICATION DESCRIPTION	QTY	UNIT
③				
②				
①				