

NOTE: ALL MATERIAL COMPLIANT ROHS STANDARD

REV	DATE	MODIFICATION	DRAWN

SPECIFICATIONS

1.ELECTRICAL:

UL APPLICATIONS: 250 VOLTS AC MAX., AT 2 AMPS.

DIELECTRIC WITHSTANDING VOLTAGE : 500 VOLTS AC.

INSULATION RESISTANCE: 100 M Ω .

TERMINATION: RESISTANCE 20m Ω MAX AFTER

ENVIRONMENTAL TESTING.

2.MECHANICAL:

CABLE-TO-PLUG TENSILE STRENGTH : 20POUND MIN.

DURABILITY : 200 MATING CYCLES.

3.MATERIAL & FINISH:

HOUSING: POLYCARBONATE, UL94V-0 OR UL94V-2.

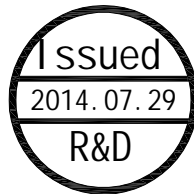
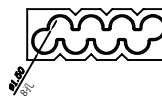
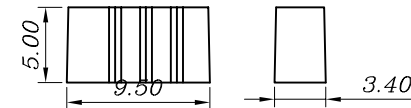
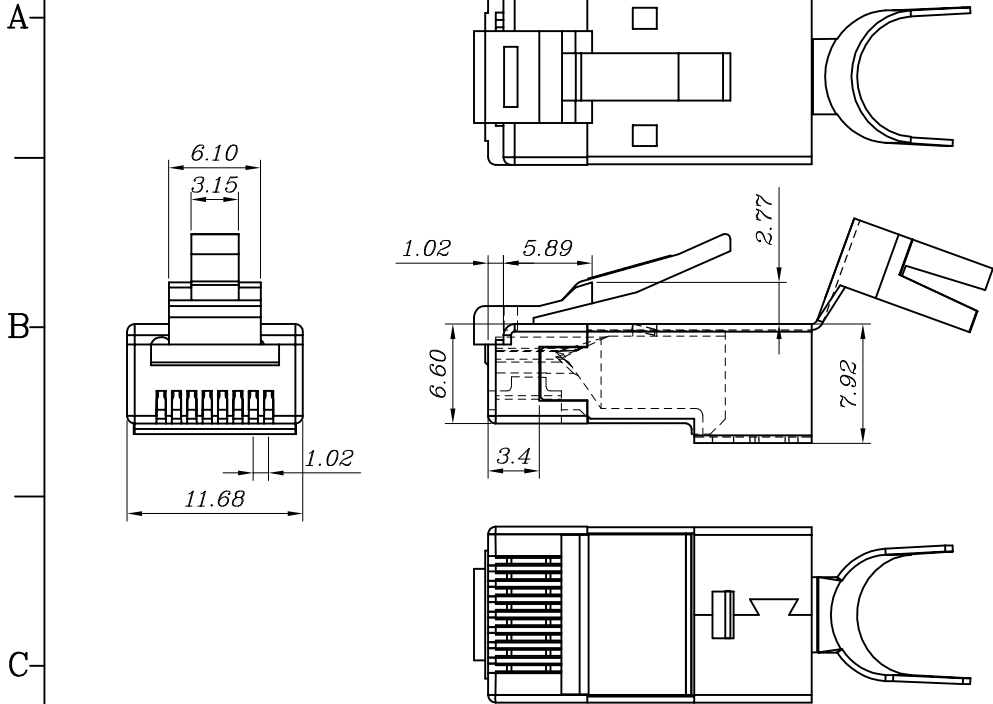
COLOR : TRANSPARENT OR OTHER COLOR ARE AVAILABLE.

CONTACT BLADE: COPPER ALLOY.

CONDUCTOR : STRANDED & SOLID WIRE , 22AWG, 24 AWG.

(It can be used for the wire OD fromØ 1.35~Ø1.45)

GOLD PLATING: 3u"-50u", ARE AVAILABLE.



BLADE:	E	Y	Z	A	AL	ZL	AB		
Drawing									
Mark			✓			✓			
GOLD PLATING	3Mu"	3u"	6u"	15u"	30u"	50u"	CABLE TYPE	ROUND	FLAT
Mark						✓	Mark	✓	

DRAWN BY	DATE: 2014/07/29	DESCRIPTION: P88R5Z50V2SIT-3Y(wire hole1.5mm) -RJ45 Cat.6A shielded Plug Stranded&Solid 50 Micron
CHECKED BY	SHEET 1 of 1	ITEM NO. 101408
APPROVED BY	SCALE 1:1	REV. 00
		UNIT: mm

ST-DR-009A

