

NOTE: ALL MATERIAL COMPLIANT ROHS STANDARD

REV	DATE	MODIFICATION	DRAWN

**SPECIFICATIONS**

1. ELECTRICAL:  
 UL APPLICATIONS: 250 VOLTS AC MAX., AT 2 AMPS.  
 DIELECTRIC WITHSTANDING VOLTAGE: 1000 VOLTS AC.  
 INSULATION RESISTANCE: 500 MΩ.  
 TERMINATION: RESISTANCE 20mΩ MAX AFTER ENVIRONMENTAL TESTING.
2. MECHANICAL:  
 CABLE-TO-PLUG TENSILE STRENGTH: 20 POUND MIN.  
 DURABILITY: 450 MATING CYCLES.
3. MATERIAL & FINISH:  
 HOUSING: POLYCARBONATE, UL94V-0 OR UL94V-2.  
 COLOR: TRANSPARENT OR OTHER COLOR ARE AVAILABLE.  
 CONTACT BLADE: COPPER ALLOY.  
 CONDUCTOR: STRANDED & SOLID WIRE, 24AWG, 26 AWG.  
 (It can be used for the wire OD from Ø 0.96-Ø1.02)  
 GOLD PLATING: 3u"-50u", ARE AVAILABLE.

A

B

C

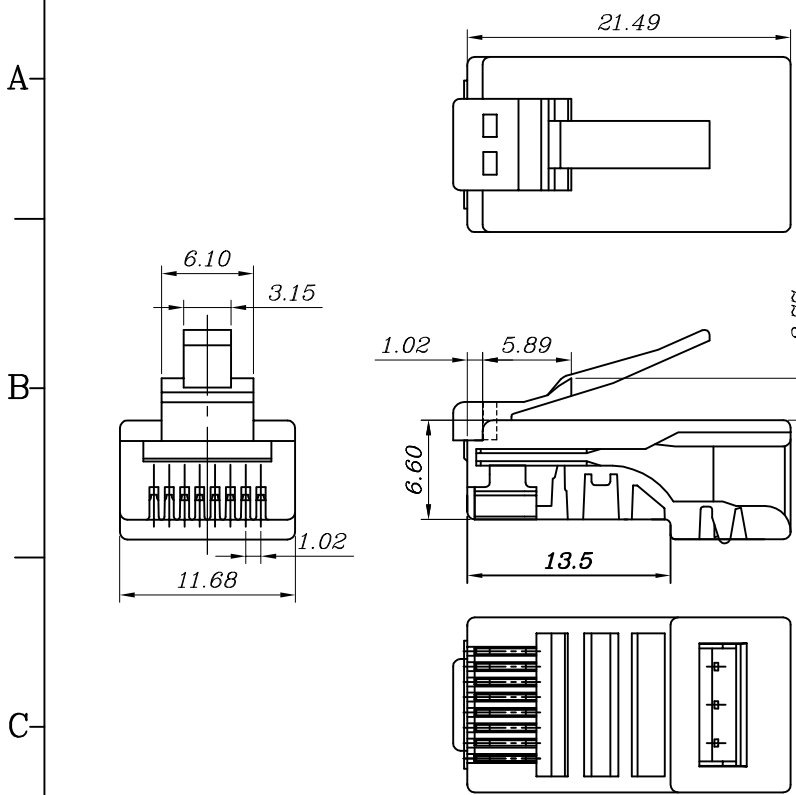
D

A

B

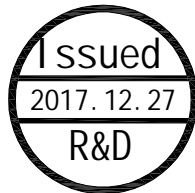
C

D



Round

Flat



BLADE:	E	EB	Y	YB	Z	A	AE	AB	EC	AL	ZL	YBL
Drawing												
Mark	✓											
GOLD PLATING	3Mu"	3u"	6u"	15u"	30u"	50u"	CABLE TYPE	ROUND	FLAT			
Mark			✓				Mark	✓				



DRAWN BY	DATE: 2017/12/27	DESCRIPTION: P88RE06V2-RJ45 Cat.5E Plug Stranded 2Prong 6 Micron	
CHECKED BY	SHEET 1 of 1	ITEM NO. 101201	
APPROVED BY	SCALE 1:1	REV. 00	UNIT: mm